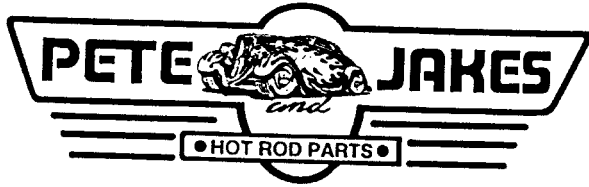


Instructions for kit #1062



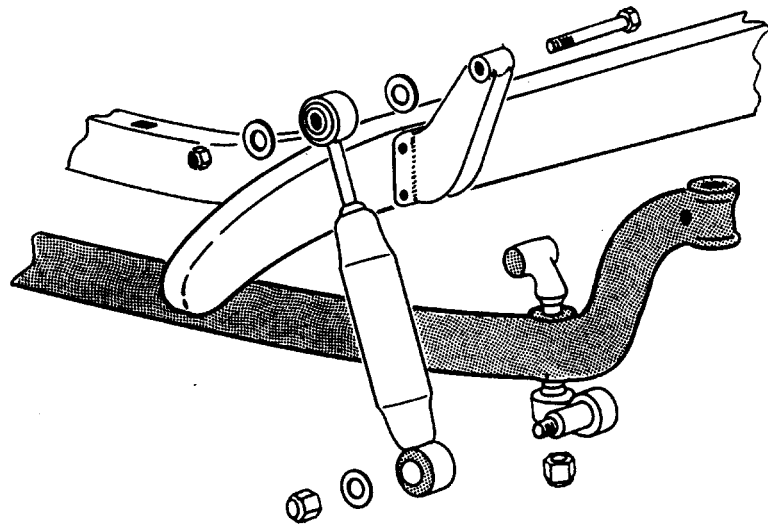
401 Legend Lane • Peculiar, MO 64078

Tech Line (816) 758-4504

800-334-7240

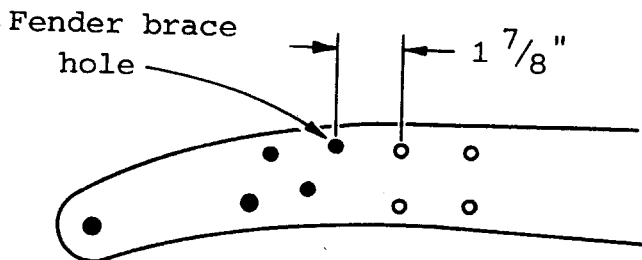
Fax (816) 758-4512

MODEL 'A' & 32 FORD FRONT SHOCK MOUNTING KIT



This shock kit, as shown, is designed for use with a 4" dropped axle. A stock axle or an axle of less amount of drop may cause the spindle steering arm to hit the shock absorber, in which case lower bolt-on mounts can be rotated or swapped side for side to provide clearance.

MODEL 'A'



'32 FORD

