

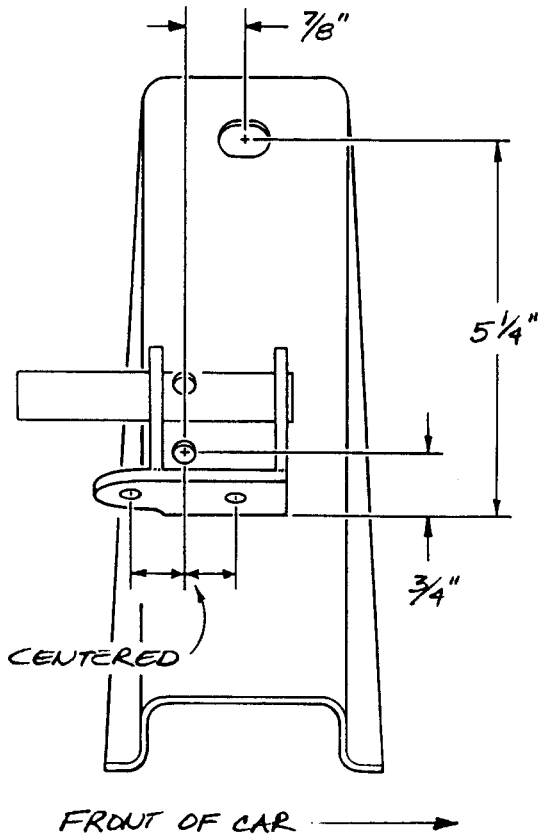
401 Legend Lane • Peculiar, MO 64078

Tech Line (816) 758-4504

800-334-7240

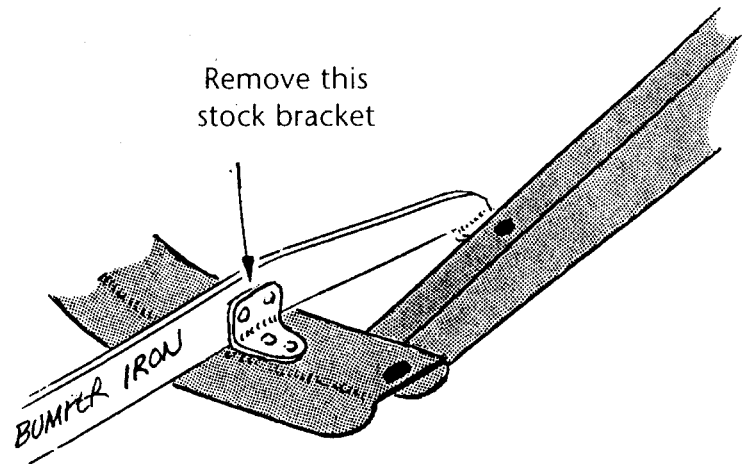
Fax (816) 758-4512

These dimensions will help position upper shock bracket, especially if you are not using bumpers, or if the crossmember does not have bumper mount holes (such as a reproduction crossmember)



Looking down on left rear corner of rear crossmember to position upper brackets.

Model 'A' REAR Coil-Shock Suspension



Upper bracket bolts to bumper iron and gets welded to the rear cross member

