

VIPER

SUSPENSION PRODUCTS

BY PETE & JAKE'S

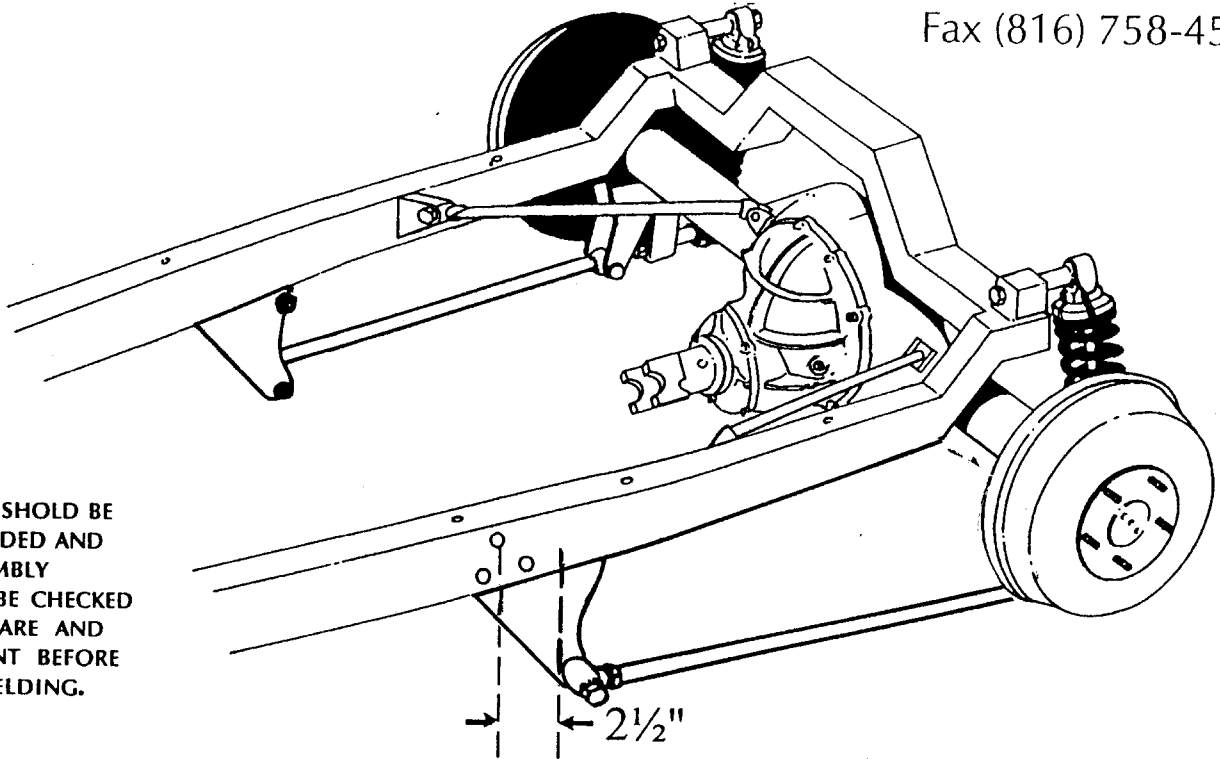
INSTRUCTION FOR #2018

'28-'31 Model 'A' TRIANGULATED 4-BAR®

Tech Line (816) 758-4504

800-334-7240

Fax (816) 758-4512



* BRACKET SHOULD BE TACK WELDED AND THE ASSEMBLY SHOULD BE CHECKED FOR SQUARE AND ALIGNMENT BEFORE FINAL WELDING.

- MEASURE 13" FROM INSIDE OF REAR CROSSMEMBER FORWARD TO LOCATE UPPER BAR MOUNTS.
- MEASURE 2 1/2" BACK FROM CENTER BOLT HOLE TO FIND CENTER OF ADJUSTER ON LOWER BAR. WELD FLUSH WITH RAIL.
- BOX AT LEAST 5" ON EACH SIDE OF BRACKETS.

