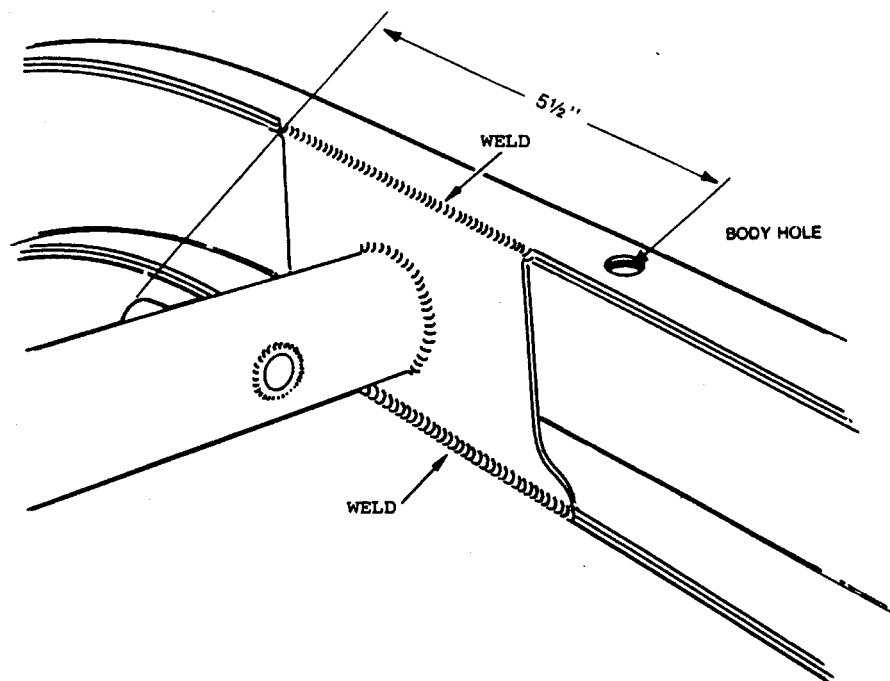


'32 REAR COIL OVER CROSSMEMBER

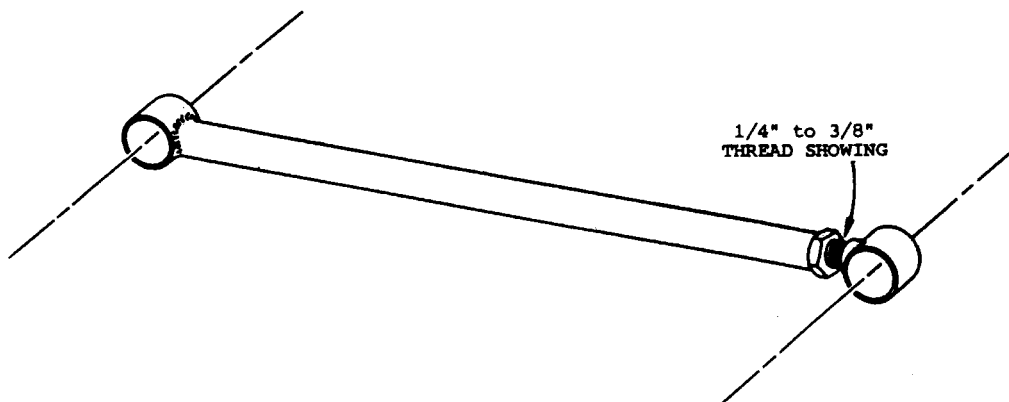
STEP 1

To locate rear crossmember, you measure from rear body hole and go forward $5\frac{1}{2}$ inches to front of crossmember tubes. Clamp and tack in place. Then weld top and bottom flanges.

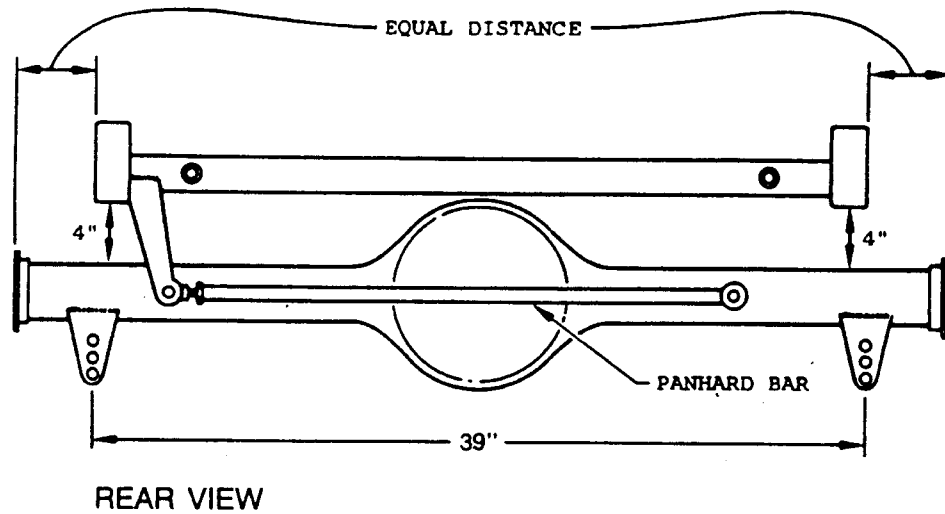


STEP 2

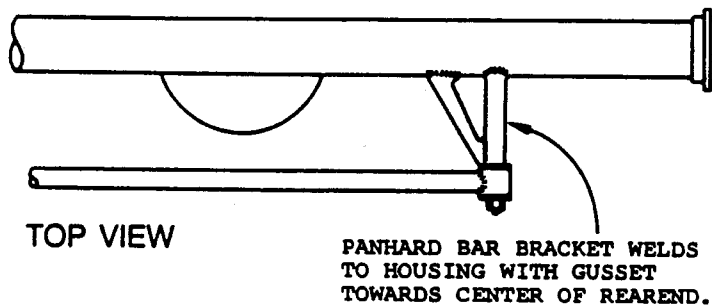
Assemble panhard bar and adjustable end with $\frac{1}{4}$ " to $\frac{3}{8}$ " of thread showing beyond the jam nut. Lay the assembled bar and end on a flat surface so bushing centerlines are parallel and tighten the jam nut.



STEP 3

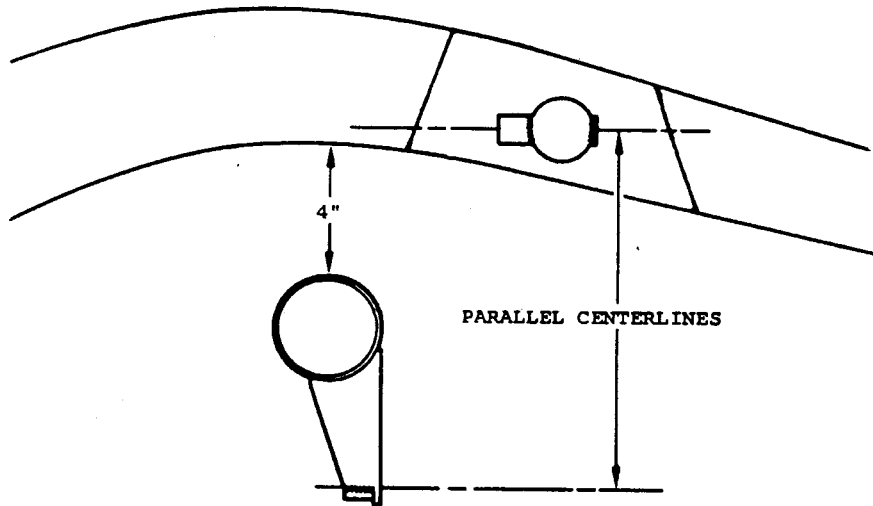


STEP 4



Position the rearend with equal distances on each side of the frame and 4" between the tip of the housing and the bottom of the frame. Install the panhard bar into the bracket on the cross-member and position the bracket on the other end against the housing and weld in place.

STEP 5



Mount the shock brackets on the housing with the centerlines of the tubes parallel to the tube through the crossmember. The housing should be 4" from the frame to approximate ride height.

STEP 6

