

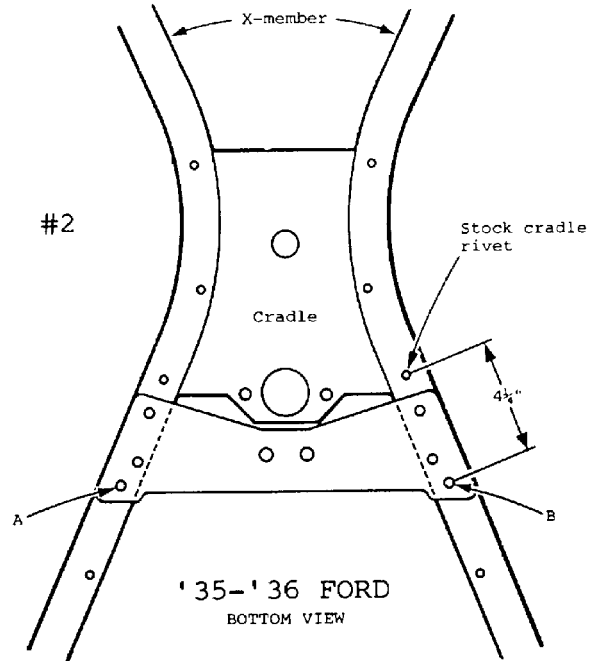
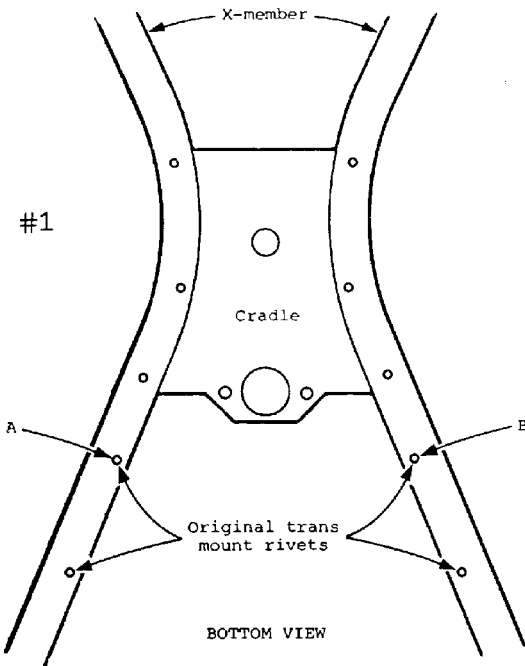


'35-'40 FORD

CHEVY 350 TURBO TRANS PLATE

(also fits '41 pickup)

Pete & Jake's Hot Rod Parts • 401 Legend Lane •
Peculiar, MO 64078 • Tech line 800-334-7240



#1 The original trans mount is held in place by several rivets. Two of the rivet locations will be used to locate the new trans plate, so these rivets (A & B) must be carefully removed without disturbing the holes. To remove rivets, drill 1/8" pilot hole through center of rivet head. Then use 5/16" drill, the head of the rivet will come off when drill gets through the head (flush with frame). If not, use a slightly larger drill. Use hammer and punch to drive remaining rivet out of hole. Completely remove the original trans mount from the X-member.

#2-3 Check location of rivet holes (A & B) with corresponding holes in new trans plate according to year of vehicle and/or position of holes forward from cradle rivets shown in drawings #2 or #3. If the holes do not line-up perfectly, center the trans plate as close as possible. Then enlarge rivet holes to 3/8" and bolt trans plate in place. Using trans plate as a guide, drill remaining 3/8" holes through plate and X-member.

NOTE: Trim lower lip of X-member as necessary to clear the transmission pan. It is also necessary to trim away areas from the front, top, and back side of the cradle to clear the trans tail shaft housing and the driveshaft assembly.

