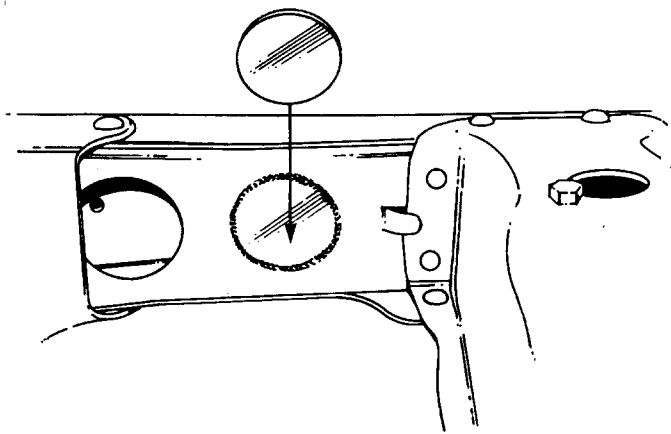


Instructions for #6005-6005A

# '42-'48 FORD

SMALL BLOCK CHEVY MOTOR MOUNTS  
FOR USE WITH ORIGINAL TYPE '58-'72 CHEVY RUBBER  
INSULATOR MOUNTS OR PETE AND JAKE'S #82142

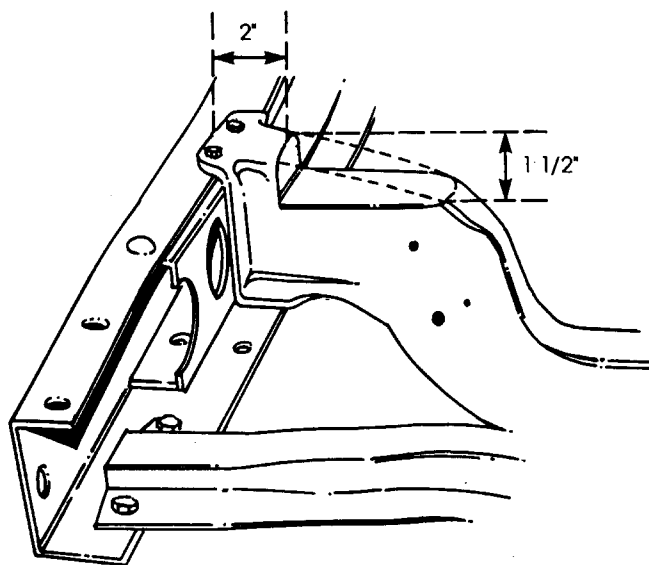
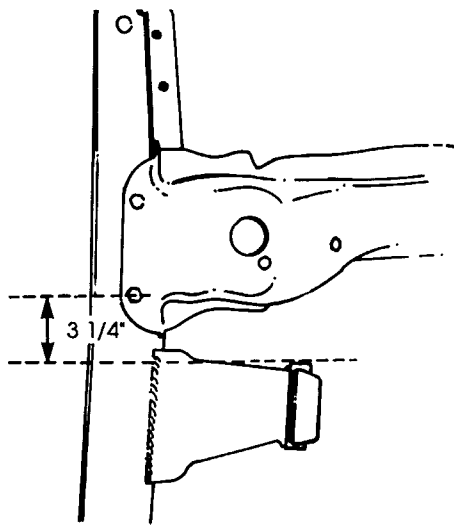


## STEP #1

A STEEL DISC HAS BEEN PROVIDED WITH THIS KIT. IT MUST BE WELDED INTO HOLE IN STOCK FRAME BEHIND CROSSMEMBER TO SUPPORT MOTOR MOUNT GUSSET.

## STEP #2

TO LOCATE MOTOR MOUNT, MEASURE  $3 \frac{1}{4}$ " FROM CENTER OF CLOSEST CROSSMEMBER RIVET ON TOP OF FRAME TO FRONT FACE OF MOTOR MOUNT TUBE AS SHOWN.



**STEP #3** (FOR USE WITH MECHANICAL FUEL PUMP) #6005A MOTOR MOUNT KIT INCLUDES HARDWARE NECESSARY FOR NOTCHING PASSENGER SIDE OF CROSSMEMBER TO CLEAR MECHANICAL FUEL PUMP. MEASURE 2" FROM CROSSMEMBER EDGE AND MAKE A VERTICAL CUT PARALLEL TO FRAME RAIL. CUT SHOULD BE  $1 \frac{1}{2}$ " DEEP. THEN CUT REMAINDER OF CROSSMEMBER TOWARD CENTER ON A LEVEL PLANE. WELD IN NEW PLATES (PROVIDED).