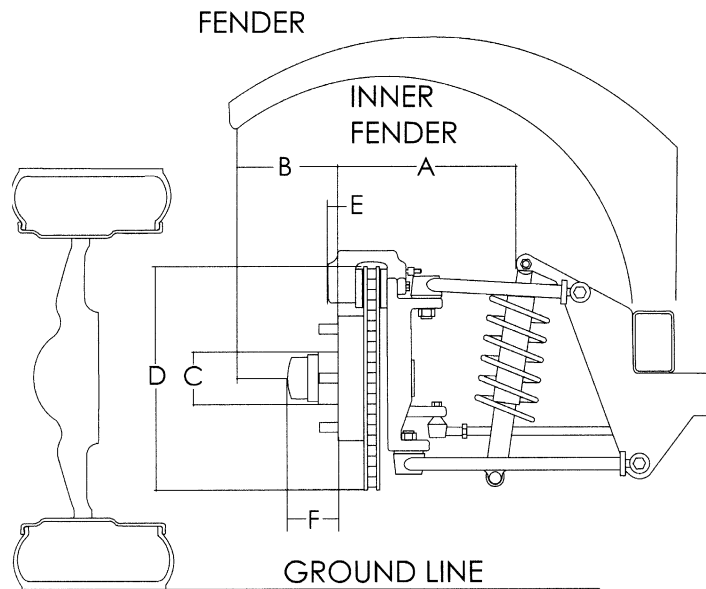


## FRONT WHEEL SECTION THROUGH FENDER WELL



$A + B$  equals total distance available for wheel/tire. Subtract two inches from this measurement to allow clearance.

Distance A is your backspacing. Remember, the section width of the mounted tire is wider than the wheel. Section width is the total width of the wheel/tire combo when inflated. When determining backspacing you must allow extra clearance for the section width. Just because your A measurement is 6" doesn't mean you can get a 6" backspace wheel. You would need to allow at least one inch for clearance and generally another inch for section width leaving you with 4". This is just an estimation and you need to take your own measurements to be certain.